

SPECIFICATION FOR APPROVAL

Product Name	ADAPTOR (LEAD FREE)	Page	1
Tai-Tech Part No.	GTA12001001		

SPECIFICATIONS

1.0 INTRODUCTION :

This document defines the performance characteristics of a 10W continual, single output level power supply for +10VAC, 1.0A max. The power supply has designed highly reliable and meet international safety and radiation requirements.

2.0 ELECTRICAL CHARACTERISTICS :

- 2.1 Primary Voltage and Frequency : 120Vac 60Hz
- 2.2 Primary Exciting Current : 60mA Max
- 2.3 Primary Load Current : 119mA Max
- 2.4 No Load Voltage : 11.45Vac $\pm 5\%$
- 2.5 Output Voltage : 10Vac $\pm 5\%$ @ 1000mA
- 2.6 Output Load Range : 0 ~ 1.0A
- 2.7 Primary DC Resistance : $91\Omega \pm 15\%$ @ 25°C
- 2.8 Temperature Rise : 75°C Max. @ 25°C

3.0 DIELECTRIC STRENGTH (Hi-Pot) TEST :

Finished product withstands AC 2.8KV, for 1 second, 1mA Max between input plug and output plug

4.0 INSULATION RESISTANCE :

Primary to Secondary : 100 MOhm to 500 Vdc

5.0 LIFE TEST CONDITIONS :

- 5.1 Temperature : 25°C
- 5.2 Humidity : 90-95% R.H.
- 5.3 Duration : 8 hours
- 5.4 Applied Current : 1000mA

6.0 HUMIDITY TEST CONDITIONS :

- 6.1 Temperature : $30\pm 2^\circ\text{C}$
- 6.2 Humidity : 90-95% R.H.
- 6.3 Duration : 48 hours
- 6.4 Insulation resistance : 10M Ω Min. after 10mins out of oven



RoHS Compliant

NOTE : Specifications subject to change without notice. Please check our website for latest information.

27.03.2007



TAI-TECH ADVANCED ELECTRONICS (S) PTE LTD

SPECIFICATION FOR APPROVAL

Product Name	ADAPTOR (LEAD FREE)	Page	2
Tai-Tech Part No.	GTA12001001		

SPECIFICATIONS

7.0 DROP TEST :

Drop on a concrete floor covered with 1/8 inch vinyl tile from a height of 3 feet.

8.0 STRAIN RELIEF TEST :

Apply a weight of 20lbs to output cord for 60 seconds, there shall be no breakage displacement.

9.0 BENDING TEST :

Plug and S/R should withstand weight of 200g, swinging from left to right (120°) for 2000 cycles and 40 cycles per minute. The cord shall be conductible.

10.0 INSULATION SYSTEM :

CLASS (120°C)

11.0 ENVIRONMENTAL CONDITIONS :

The power supply can withstand the following environmental conditions :

11.1 Storage Temperature : -20°C ~ +80°C

Relative Humidity : 30% ~ 85%

11.2 Operating Temperature : -10°C ~ +40°C

Relative Humidity : 30% ~ 85%



RoHS Compliant

NOTE : Specifications subject to change without notice. Please check our website for latest information.

27.03.2007

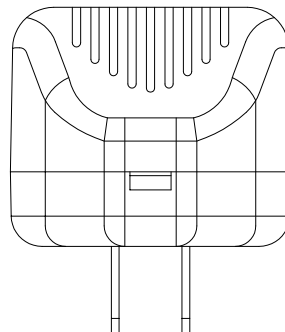
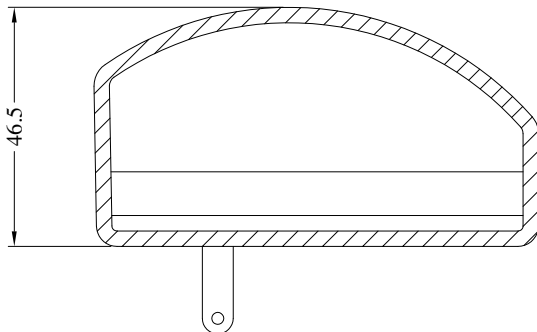
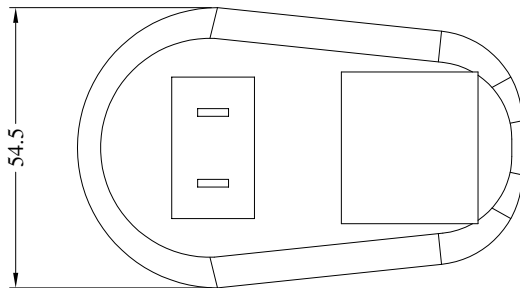
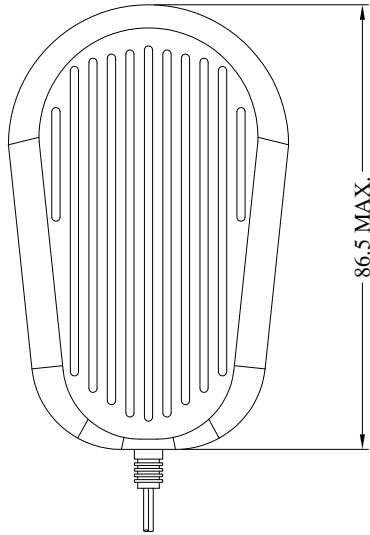


TAI-TECH ADVANCED ELECTRONICS (S) PTE LTD

SPECIFICATION FOR APPROVAL

Product Name	ADAPTOR (LEAD FREE)	Page	3
Tai-Tech Part No.	GTA12001001		

CONFIGURATION & DIMENSIONS : (UNIT : MM)



RoHS Compliant

NOTE : Specifications subject to change without notice. Please check our website for latest information.

27.03.2007

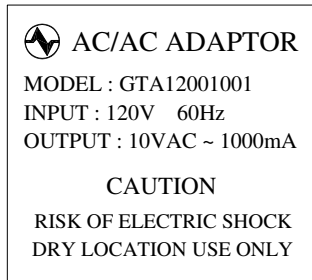


TAI-TECH ADVANCED ELECTRONICS (S) PTE LTD

SPECIFICATION FOR APPROVAL

Product Name	ADAPTOR (LEAD FREE)	Page	4
Tai-Tech Part No.	GTA12001001		

LABEL :



RoHS Compliant

NOTE : Specifications subject to change without notice. Please check our website for latest information.

27.03.2007

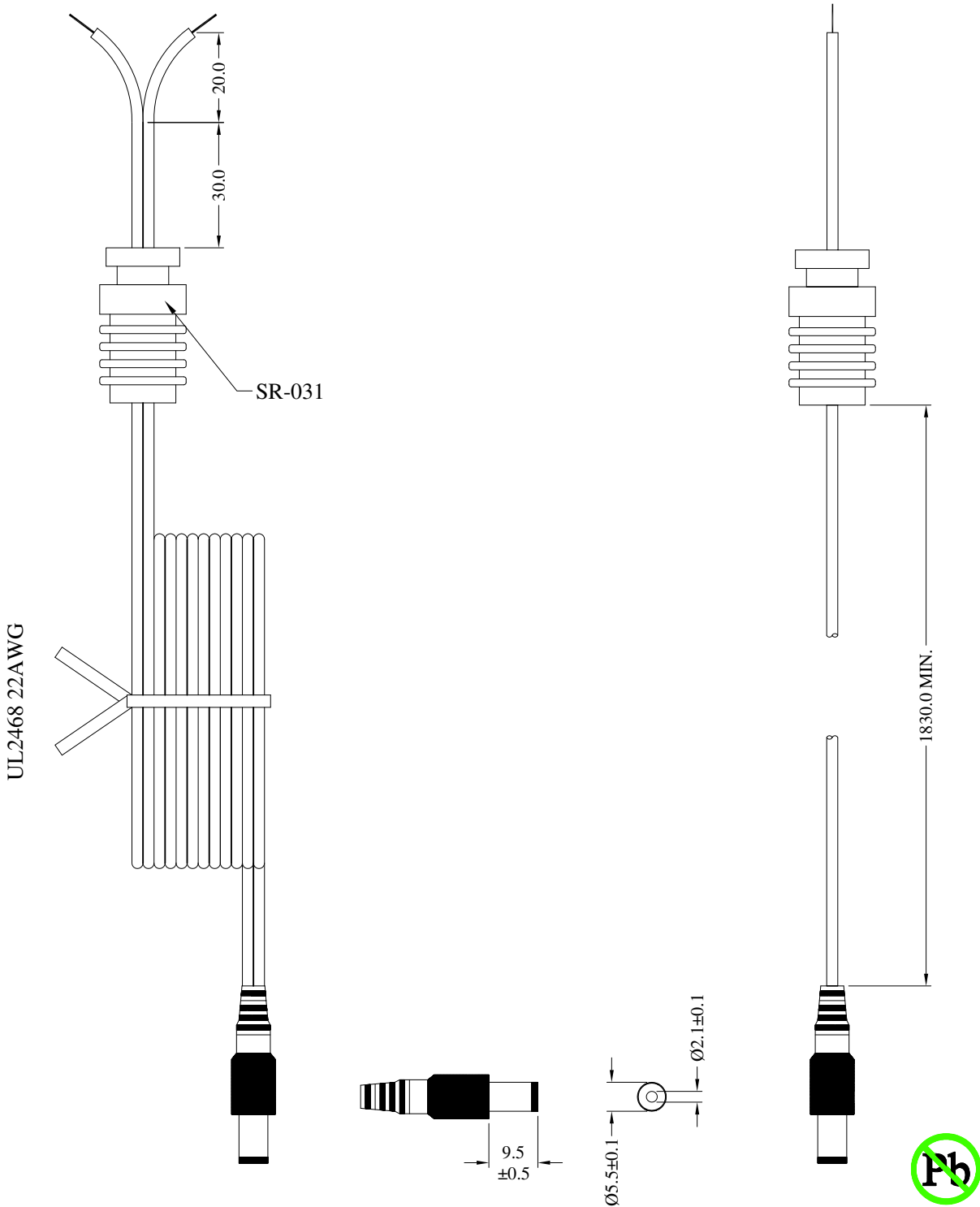


TAI-TECH ADVANCED ELECTRONICS (S) PTE LTD

SPECIFICATION FOR APPROVAL

Product Name	ADAPTOR (LEAD FREE)	Page	5
Tai-Tech Part No.	GTA12001001		

OUTPUT CORD & PLUG : (UNIT : MM)



RoHS Compliant

NOTE : Specifications subject to change without notice. Please check our website for latest information.

27.03.2007



TAI-TECH ADVANCED ELECTRONICS (S) PTE LTD