

SPECIFICATION FOR APPROVAL

Product Name	INTEGRATED MODULAR JACK (LEAD FREE)	Page	1
Tai-Tech Part No.	10/100 BASE TX RJ45 SINGLE PORT TAB UP	Rev. No.	0

Meets or exceeds IEEE 802.3 standard for 10/100 Base-TX
 350 uH minimum OCL with 8mA bias current
 Available with or without LEDs
 Minimum 1500Vrms isolation per IEEE802.3 requirement
 Operating temperature 0°C to +70°C
 Storage temperature -40°C to +85°C

Patent No.:

Taiwan - M243821, file94221170, file93130703
 China - ZL03252694.6
 U.S.A. - 6,811,442 B1, 6,986,684 B1
 Japan - 3118484, 3118754
 Germany - 20 2005 016 971.4, 20 2005 016 972.2

TRANSFORMER ELECTRICAL SPECIFICATIONS AT 25°C

Part Number	Turns Ratio		EMI Fingers	LEDs (L/R)	Insertion Loss (dB max.)	Return Loss 100Ω±15Ω (dB min.)				Cross talk (dB min.)			C.M.R. (dB min.)		Hi - pot (Vrms) 60Hz/1min.
	TX	RX				1-100 MHz	1-30 MHz	30-60 MHz	60-80 MHz	1-30 MHz	30-60 MHz	60-100 MHz	1-60 MHz	60-100 MHz	
M26UX-008120A	1CT:1CT	1CT:1CT	NO	N / A	-1	-18	-16	-12	-40	-35	-30	-40	-30	1500	
M26US-008121A	1CT:1CT	1CT:1CT	YES	G / Y	-1	-18	-16	-12	-40	-35	-30	-40	-30	1500	
M26US-008122A	1CT:1CT	1CT:1CT	YES	G / G	-1	-18	-16	-12	-40	-35	-30	-40	-30	1500	
M26US-008123A	1CT:1CT	1CT:1CT	YES	Y / G	-1	-18	-16	-12	-40	-35	-30	-40	-30	1500	
M26UX-008260A	1CT:1CT	1CT:1CT	NO	N / A	-1	-18	-16	-12	-40	-35	-30	-40	-30	1500	
M26US-008261A	1CT:1CT	1CT:1CT	YES	G / Y	-1	-18	-16	-12	-40	-35	-30	-40	-30	1500	
M26US-008262A	1CT:1CT	1CT:1CT	YES	G / G	-1	-18	-16	-12	-40	-35	-30	-40	-30	1500	
M26US-008263A	1CT:1CT	1CT:1CT	YES	Y / G	-1	-18	-16	-12	-40	-35	-30	-40	-30	1500	

NOTES : 1. LEDs Left / Right G=green, Y=yellow, N/A=none
 2. C.M.R. = Common Mode Rejection

MATERIAL SPECIFICATION

Metal Shell : Copper Alloy , Finish: 50u" Nickel
 Housing / Bottom Cover : Thermoplastic , UL 94V-0, Color Black
 Insert : Thermoplastic , UL 94V-0, Color Black
 Contact Terminal / Phosphor Bronze, Solder Tail / Copper Alloy
 15u" Gold on Contact Area, 100u" Tin on Solder, Both over 50u" Nickel Under-Plated
 Coil Base : LCP , UL 94V-0, Color Black



RoHS Compliant

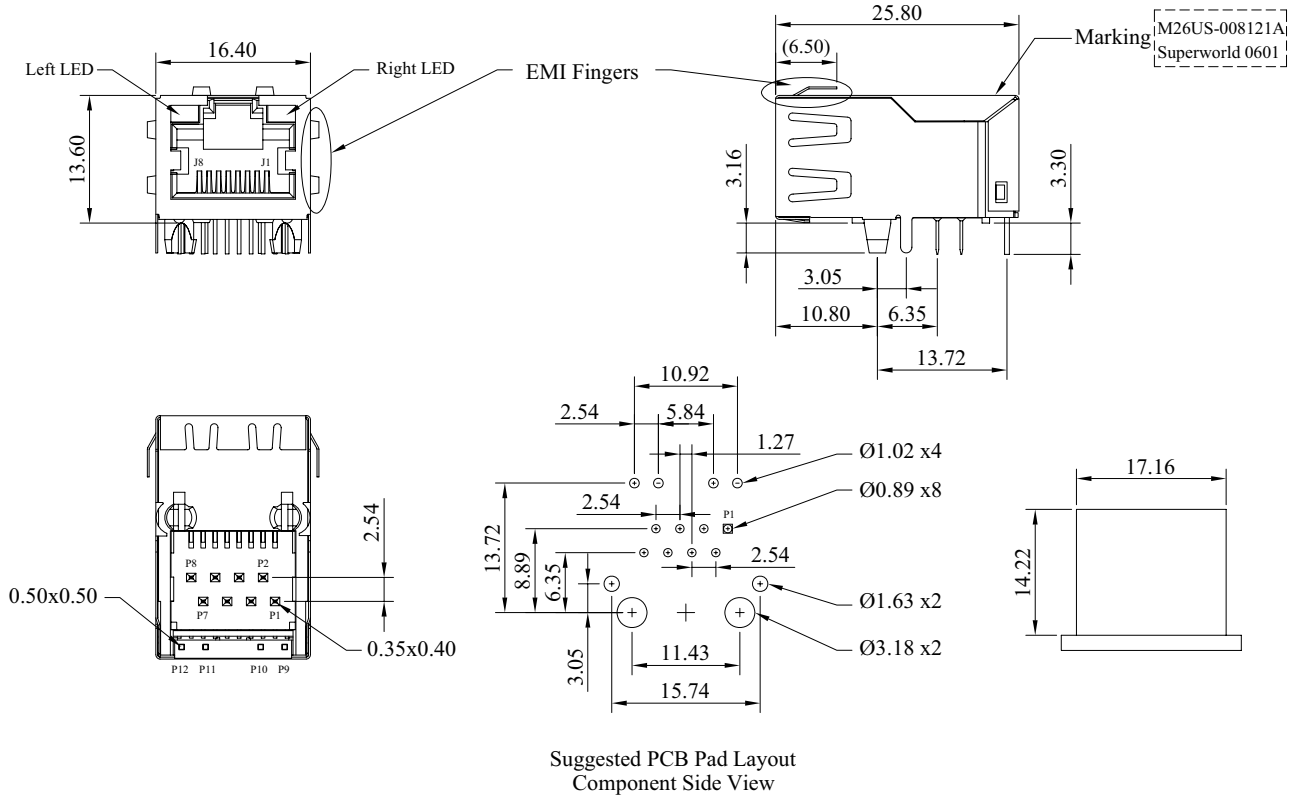


TAI-TECH ADVANCED ELECTRONICS (S) PTE LTD

SPECIFICATION FOR APPROVAL

Product Name	INTEGRATED MODULAR JACK (LEAD FREE)	Page	2
Tai-Tech Part No.	10/100 BASE TX RJ45 SINGLE PORT TAB UP	Rev. No.	0

MECHANICAL



- NOTES : 1. Tolerance : PCB ±0.05mm
Connector ±0.25mm
2. Connector dimensions comply with FCC 68.5 dimension requirements



RoHS Compliant

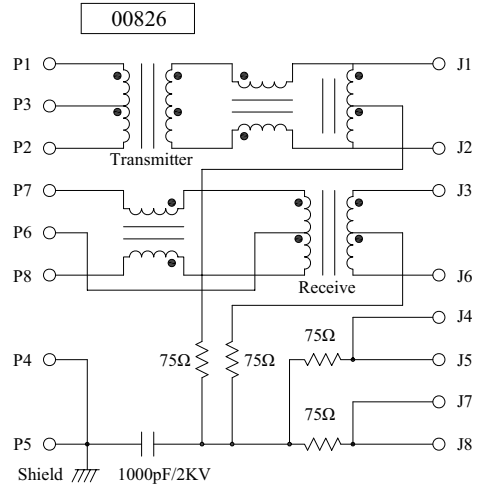
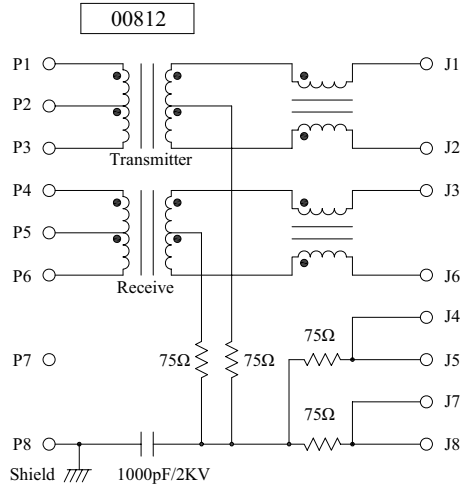


TAI-TECH ADVANCED ELECTRONICS (S) PTE LTD

SPECIFICATION FOR APPROVAL

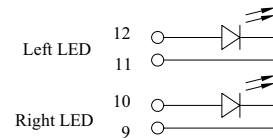
Product Name	INTEGRATED MODULAR JACK (LEAD FREE)	Page	3
Tai-Tech Part No.	10/100 BASE TX RJ45 SINGLE PORT TAB UP	Rev. No.	0

SCHEMATIC



LED CONFIGURATION

Standard LED	Wavelength(λ)	V / IF=20mA	
		max.	typ.
Yellow	585nm	2.5 V	2.1 V
Green	570nm	2.5 V	2.1 V
Orange	605nm	2.5 V	2.1 V



RoHS Compliant

