

SPECIFICATION FOR APPROVAL

Product Name	INTEGRATED MODULAR JACK (LEAD FREE)	Page	1
Tai-Tech Part No.	10/100/1000 GIGABIT ETHERNET RJ45 SINGLE PORT TAB UP	Rev. No.	0

Meets or exceeds IEEE 802.3 standard for 10/100/1000 Base-TX

350 uH minimum OCL with 8mA DC bias current

Available with or without LEDs

Minimum 1500Vrms isolation per IEEE802.3 requirement

Operating temperature 0°C to +70°C

Storage temperature -40°C to +85°C

Patent No.:

Taiwan - M243821, file94221170, file93130703

China - ZL03252694.6

U.S.A. - 6,811,442 B1, 6,986,684 B1

Japan - 3118484, 3118754

Germany - 20 2005 016 971.4, 20 2005 016 972.2



RoHS Compliant



TAI-TECH ADVANCED ELECTRONICS (S) PTE LTD

SPECIFICATION FOR APPROVAL

Product Name	INTEGRATED MODULAR JACK (LEAD FREE)	Page	2
Tai-Tech Part No.	10/100/1000 GIGABIT ETHERNET RJ45 SINGLE PORT TAB UP	Rev. No.	0

TRANSFORMER ELECTRICAL SPECIFICATIONS AT 25°C

Part Number	Turns Ratio	EMI	LEDs	Insertion Loss (dB max.)	Return Loss 100Ω±15Ω (dB min.)					Cross talk (dB min.)			C.M.R. (dB min.)		Hi - pot (Vrms)
	TD1:2/3/4	Fingera	(L/R)	1-125MHz MHz	1-30 MHz	30-60 MHz	60-80 MHz	80-100 MHz	1-30 MHz	30-60 MHz	60-100 MHz	1-60 MHz	60-100 MHz	60Hz/1min.	
G26US-010011A	1CT:1CT	YES	G / Y	-1.2	-18	-16	-12	-10	-40	-35	-30	-40	-30	1500	
G26US-010012A	1CT:1CT	YES	G / G	-1.2	-18	-16	-12	-10	-40	-35	-30	-40	-30	1500	
G26US-010013A	1CT:1CT	YES	Y / G	-1.2	-18	-16	-12	-10	-40	-35	-30	-40	-30	1500	
G26US-010021A	1CT:1CT	YES	G / Y	-1.2	-18	-16	-12	-10	-40	-35	-30	-40	-30	1500	
G26US-010022A	1CT:1CT	YES	G / G	-1.2	-18	-16	-12	-10	-40	-35	-30	-40	-30	1500	
G26US-010023A	1CT:1CT	YES	Y / G	-1.2	-18	-16	-12	-10	-40	-35	-30	-40	-30	1500	
G26US-010031A	1CT:1CT	YES	G / Y	-1.2	-18	-16	-12	-10	-40	-35	-30	-40	-30	1500	
G26US-010032A	1CT:1CT	YES	G / G	-1.2	-18	-16	-12	-10	-40	-35	-30	-40	-30	1500	
G26US-010033A	1CT:1CT	YES	Y / G	-1.2	-18	-16	-12	-10	-40	-35	-30	-40	-30	1500	
G26US-010121A	1CT:1CT	YES	G / Y	-1.2	-18	-16	-12	-10	-40	-35	-30	-40	-30	1500	
G26US-010122A	1CT:1CT	YES	G / G	-1.2	-18	-16	-12	-10	-40	-35	-30	-40	-30	1500	
G26US-010123A	1CT:1CT	YES	Y / G	-1.2	-18	-16	-12	-10	-40	-35	-30	-40	-30	1500	
G26US-010131A	1CT:1CT	YES	G / Y	-1.2	-18	-16	-12	-10	-40	-35	-30	-40	-30	1500	
G26US-010132A	1CT:1CT	YES	G / G	-1.2	-18	-16	-12	-10	-40	-35	-30	-40	-30	1500	
G26US-010133A	1CT:1CT	YES	Y / G	-1.2	-18	-16	-12	-10	-40	-35	-30	-40	-30	1500	
G33US-012231A	1CT:1CT	YES	G / Y	-1.2	-18	-16	-12	-10	-40	-35	-30	-40	-30	1500	
G33US-012232A	1CT:1CT	YES	G / G	-1.2	-18	-16	-12	-10	-40	-35	-30	-40	-30	1500	
G33US-012233A	1CT:1CT	YES	Y / G	-1.2	-18	-16	-12	-10	-40	-35	-30	-40	-30	1500	
G33US-012241A	1CT:1CT	YES	G / Y	-1.2	-18	-16	-12	-10	-40	-35	-30	-40	-30	1500	
G33US-012242A	1CT:1CT	YES	G / G	-1.2	-18	-16	-12	-10	-40	-35	-30	-40	-30	1500	
G33US-012243A	1CT:1CT	YES	G / G	-1.2	-18	-16	-12	-10	-40	-35	-30	-40	-30	1500	
G33US-012261A	1CT:1CT	YES	G / Y	-1.2	-18	-16	-12	-10	-40	-35	-30	-40	-30	1500	
G33US-012262A	1CT:1CT	YES	G / G	-1.2	-18	-16	-12	-10	-40	-35	-30	-40	-30	1500	
G33US-012263A	1CT:1CT	YES	Y / G	-1.2	-18	-16	-12	-10	-40	-35	-30	-40	-30	1500	
G33US-012271A	1CT:1CT	YES	G / Y	-1.2	-18	-16	-12	-10	-40	-35	-30	-40	-30	1500	
G33US-012272A	1CT:1CT	YES	G / G	-1.2	-18	-16	-12	-10	-40	-35	-30	-40	-30	1500	
G33US-012273A	1CT:1CT	YES	Y / G	-1.2	-18	-16	-12	-10	-40	-35	-30	-40	-30	1500	
G33US-01227AA	1CT:1CT	YES	GY / G	-1.2	-18	-16	-12	-10	-40	-35	-30	-40	-30	1500	

NOTES : 1. LEDs Left / Right G=green, Y=yellow, N/A=none
 2. C.M.R. = Common Mode Rejection

MATERIAL SPECIFICATION

Metal Shell : Copper Alloy , Finish: 50u" Nickel
 Housing / Bottom Cover : Thermoplastic , UL 94V-0, Color Black
 Insert : Thermoplastic , UL 94V-0, Color Black
 Contact Terminal / Phosphor Bronze , Solder Tail / Copper Alloy
 15u" Gold on Contact Area, 100u" Tin on Solder, Both over 50u" Nickel Under-Plated
 Coil Base : LCP , UL 94V-0, Color Black



RoHS Compliant

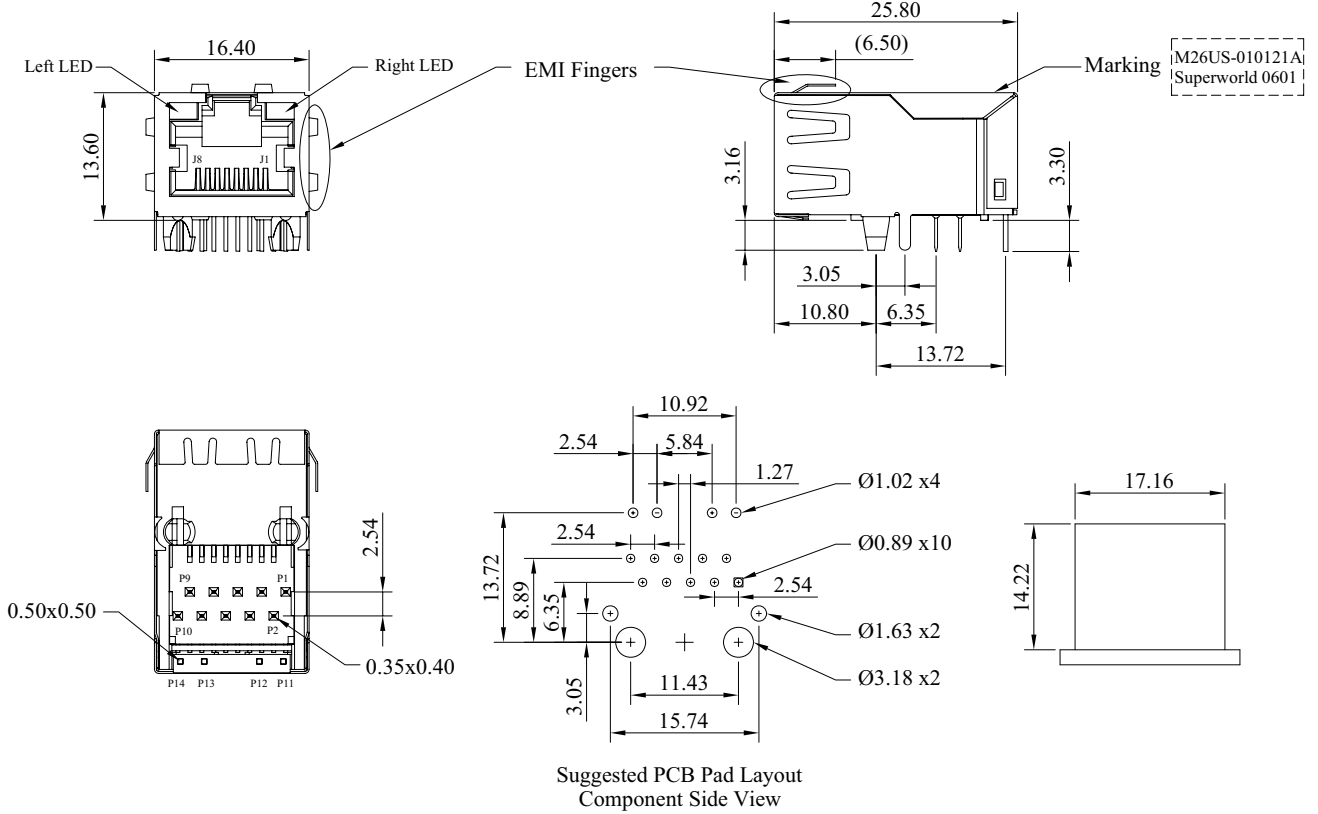


TAI-TECH ADVANCED ELECTRONICS (S) PTE LTD

SPECIFICATION FOR APPROVAL

Product Name	INTEGRATED MODULAR JACK (LEAD FREE)	Page	3
Tai-Tech Part No.	10/100/1000 GIGABIT ETHERNET RJ45 SINGLE PORT TAB UP	Rev. No.	0

MECHANICAL : G26US-



- NOTES : 1. Tolerance : PCB $\pm 0.05\text{mm}$
Connector $\pm 0.25\text{mm}$
2. Connector dimensions comply with FCC 68.5 dimension requirements



RoHS Compliant

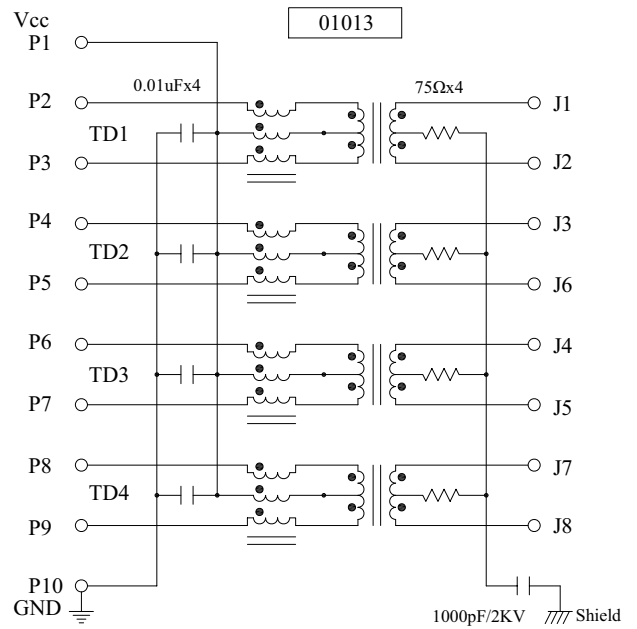
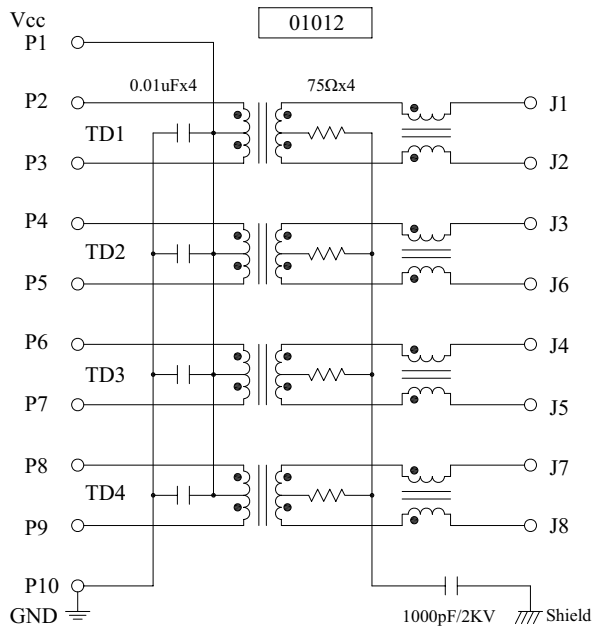


TAI-TECH ADVANCED ELECTRONICS (S) PTE LTD

SPECIFICATION FOR APPROVAL

Product Name	INTEGRATED MODULAR JACK (LEAD FREE)	Page	4
Tai-Tech Part No.	10/100/1000 GIGABIT ETHERNET RJ45 SINGLE PORT TAB UP	Rev. No.	0

SCHEMATIC



RoHS Compliant

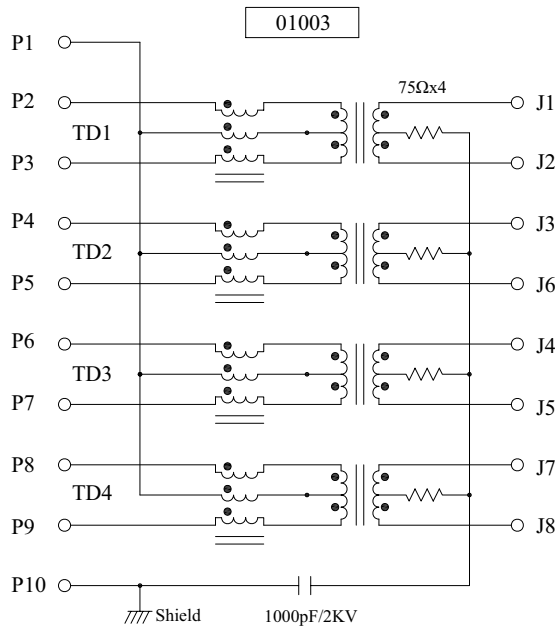
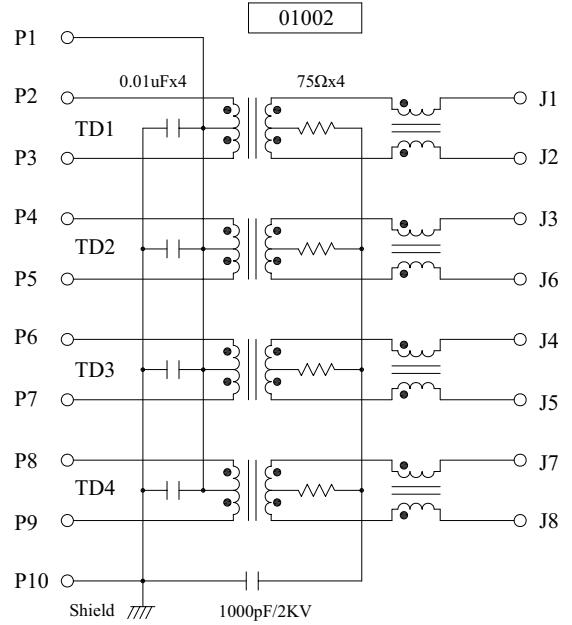
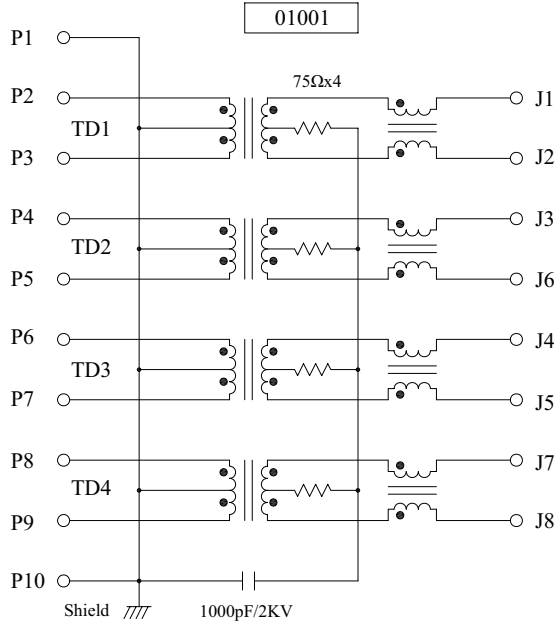


TAI-TECH ADVANCED ELECTRONICS (S) PTE LTD

SPECIFICATION FOR APPROVAL

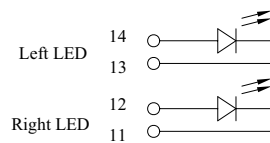
Product Name	INTEGRATED MODULAR JACK (LEAD FREE)	Page	5
Tai-Tech Part No.	10/100/1000 GIGABIT ETHERNET RJ45 SINGLE PORT TAB UP	Rev. No.	0

SCHEMATIC



LED CONFIGURATION

Standard LED	Wavelength(λ)	V / IF=20mA	
		max.	typ.
Yellow	585nm	2.5 V	2.1 V
Green	570nm	2.5 V	2.1 V
Orange	605nm	2.5 V	2.1 V



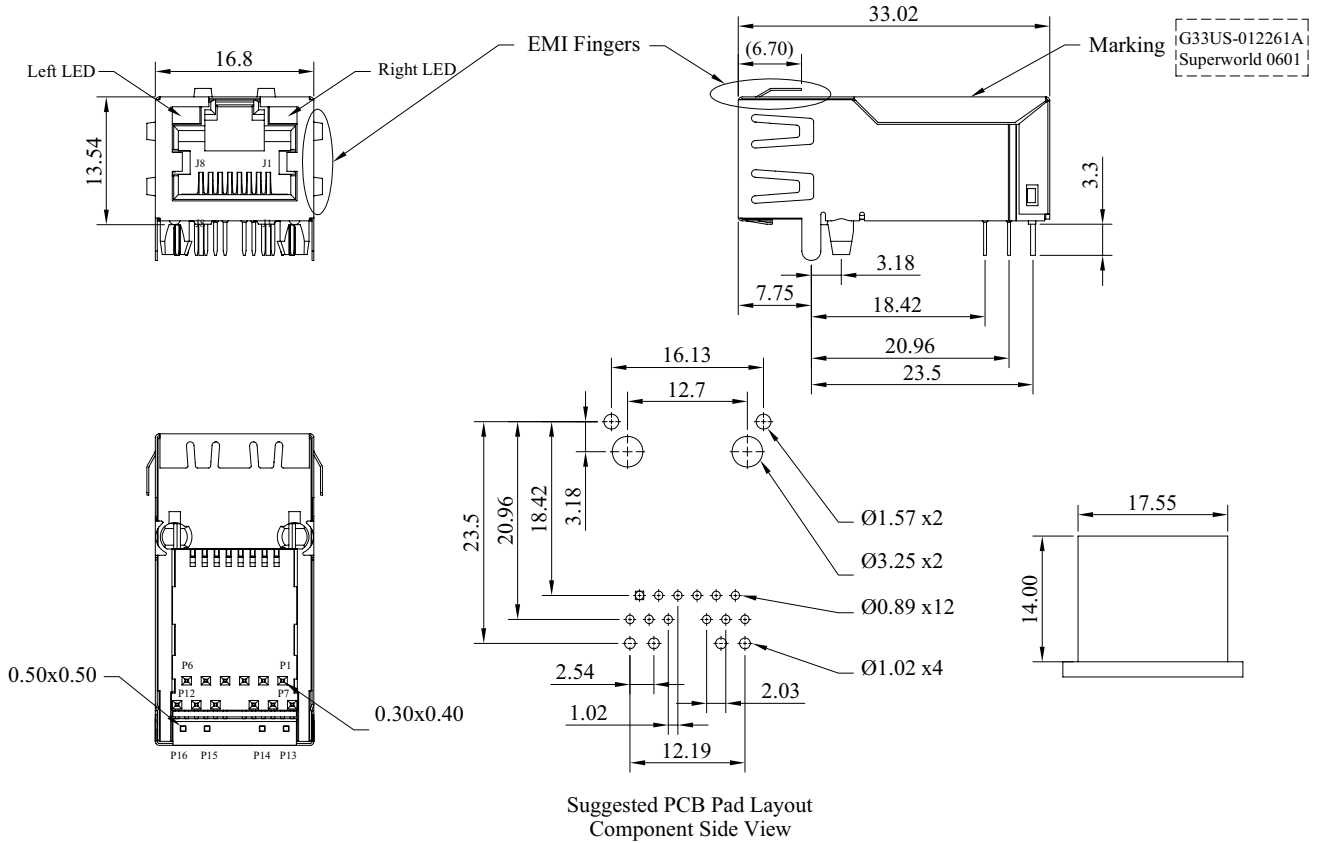
RoHS Compliant



SPECIFICATION FOR APPROVAL

Product Name	INTEGRATED MODULAR JACK (LEAD FREE)	Page	6
Tai-Tech Part No.	10/100/1000 GIGABIT ETHERNET RJ45 SINGLE PORT TAB UP	Rev. No.	0

MECHANICAL : G33US-



- NOTES : 1. Tolerance : PCB ± 0.05 mm
 Connector ± 0.25 mm
 2. Connector dimensions comply with FCC 68.5 dimension requirements



RoHS Compliant

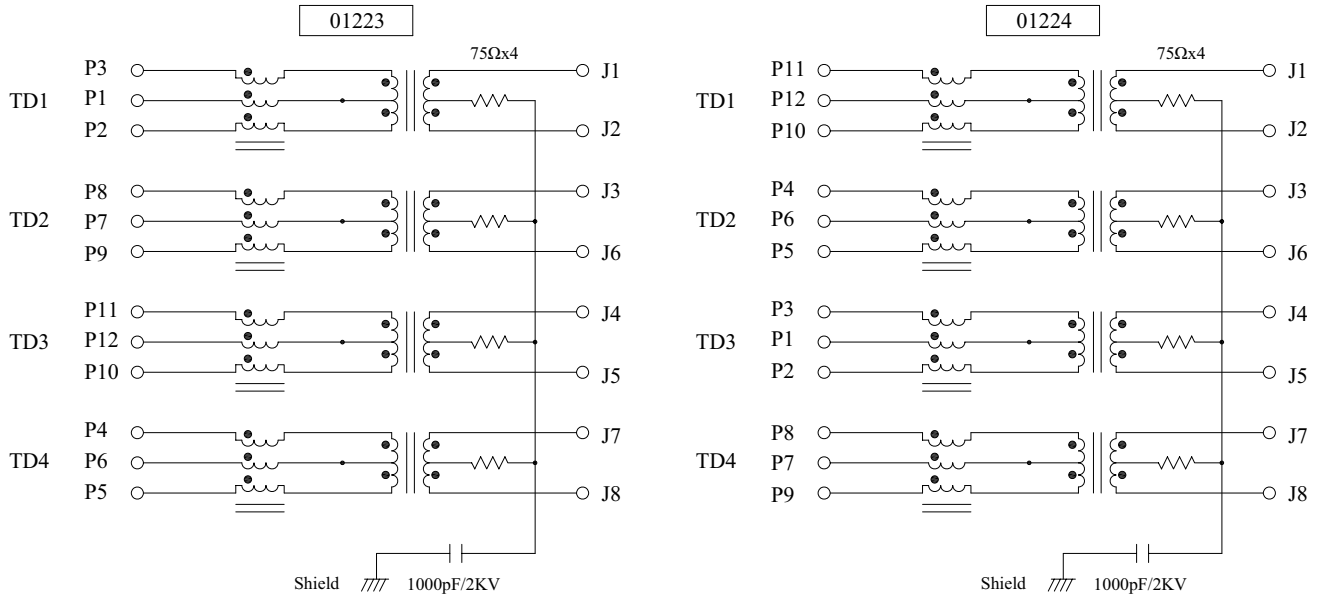


TAI-TECH ADVANCED ELECTRONICS (S) PTE LTD

SPECIFICATION FOR APPROVAL

Product Name	INTEGRATED MODULAR JACK (LEAD FREE)	Page	7
Tai-Tech Part No.	10/100/1000 GIGABIT ETHERNET RJ45 SINGLE PORT TAB UP	Rev. No.	0

SCHEMATIC



RoHS Compliant

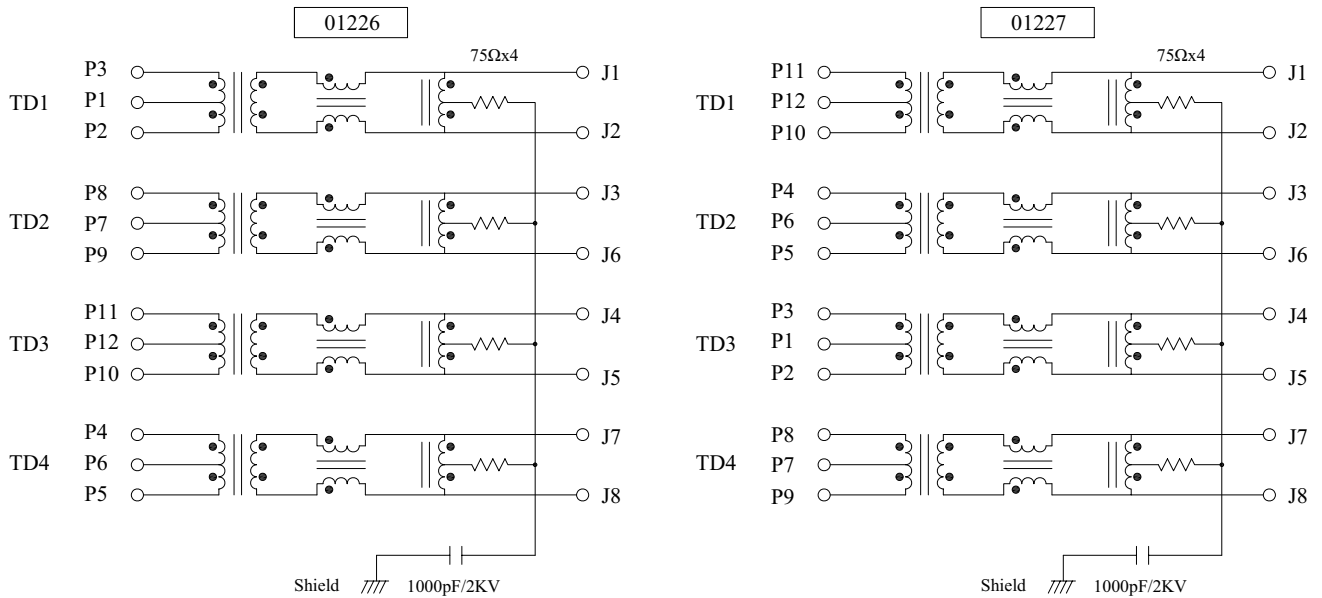


TAI-TECH ADVANCED ELECTRONICS (S) PTE LTD

SPECIFICATION FOR APPROVAL

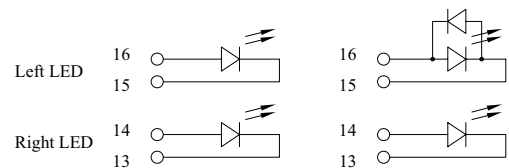
Product Name	INTEGRATED MODULAR JACK (LEAD FREE)	Page	8
Tai-Tech Part No.	10/100/1000 GIGABIT ETHERNET RJ45 SINGLE PORT TAB UP	Rev. No.	0

SCHEMATIC



LED CONFIGURATION

Standard LED	Wavelength(λ)		
		max.	typ.
Yellow	585nm	2.5 V	2.1 V
Green	570nm	2.5 V	2.1 V
Orange	605nm	2.5 V	2.1 V



RoHS Compliant

