

SPECIFICATION FOR APPROVAL

Product Name	INTEGRATED MODULAR JACK (LEAD FREE)	Page	1
Tai-Tech Part No.	10/100/1000 GIGABIT ETHERNET RJ45 1XN PORT TAB-UP	Rev. No.	0

Options: 1x2, 1x4, 1x6 & 1x8 Port
Meets or exceeds IEEE 802.3 standard for 10/100/1000 Base-TX
Suitable for CAT 5 & 6 Fast Ethernet Cable or better UTP
350 uH minimum OCL with 8mA DC bias current
Available with or without LEDs
Minimum 1500Vrms isolation per IEEE802.3 requirement
Operating temperature 0°C to +70°C
Storage temperature -40°C to +85°C

Patent No.:

Taiwan - M243821, file94221170, file93130703
China - ZL03252694.6
U.S.A. - 6,811,442 B1, 6,986,684 B1
Japan - 3118484, 3118754
Germany - 20 2005 016 971.4, 20 2005 016 972.2



RoHS Compliant



TAI-TECH ADVANCED ELECTRONICS (S) PTE LTD

SPECIFICATION FOR APPROVAL

Product Name	INTEGRATED MODULAR JACK (LEAD FREE)	Page	2
Tai-Tech Part No.	10/100/1000 GIGABIT ETHERNET RJ45 1XN PORT TAB-UP	Rev. No.	0

TRANSFORMER ELECTRICAL SPECIFICATIONS AT 25°C

Part Number	Turns Ratio	LEDs	Insertion Loss (dB max.)		Return Loss 100Ω±15Ω (dB min.)				Cross talk (dB min.)			C.M.R. (dB min.)		Hi - pot
	TD1/2/3/4	(L/R)	1-100 MHz	100-125 MHz	1-30 MHz	30-60 MHz	60-80 MHz	80-100 MHz	1-30 MHz	30-60 MHz	60-100 MHz	1-60 MHz	60-100 MHz	60Hz/1min.
G26US-610121A	1CT:1CT	G / Y	-1.0	-1.2	-18	-16	-12	-10	-40	-35	-30	-40	-30	1500
G26US-610122A	1CT:1CT	G / G	-1.0	-1.2	-18	-16	-12	-10	-40	-35	-30	-40	-30	1500
G26US-610123A	1CT:1CT	Y / G	-1.0	-1.2	-18	-16	-12	-10	-40	-35	-30	-40	-30	1500
G26US-610151A	1CT:1CT	G / Y	-1.0	-1.2	-18	-16	-12	-10	-40	-35	-30	-40	-30	1500
G26US-610152A	1CT:1CT	G / G	-1.0	-1.2	-18	-16	-12	-10	-40	-35	-30	-40	-30	1500
G26US-610153A	1CT:1CT	Y / G	-1.0	-1.2	-18	-16	-12	-10	-40	-35	-30	-40	-30	1500
G26US-710121A	1CT:1CT	G / Y	-1.0	-1.2	-18	-16	-12	-10	-40	-35	-30	-40	-30	1500
G26US-710122A	1CT:1CT	G / G	-1.0	-1.2	-18	-16	-12	-10	-40	-35	-30	-40	-30	1500
G26US-710123A	1CT:1CT	Y / G	-1.0	-1.2	-18	-16	-12	-10	-40	-35	-30	-40	-30	1500
G26US-710151A	1CT:1CT	G / Y	-1.0	-1.2	-18	-16	-12	-10	-40	-35	-30	-40	-30	1500
G26US-710152A	1CT:1CT	G / G	-1.0	-1.2	-18	-16	-12	-10	-40	-35	-30	-40	-30	1500
G26US-710153A	1CT:1CT	Y / G	-1.0	-1.2	-18	-16	-12	-10	-40	-35	-30	-40	-30	1500
G26US-810121A	1CT:1CT	G / Y	-1.0	-1.2	-18	-16	-12	-10	-40	-35	-30	-40	-30	1500
G26US-810122A	1CT:1CT	G / G	-1.0	-1.2	-18	-16	-12	-10	-40	-35	-30	-40	-30	1500
G26US-810123A	1CT:1CT	Y / G	-1.0	-1.2	-18	-16	-12	-10	-40	-35	-30	-40	-30	1500
G26US-810151A	1CT:1CT	G / Y	-1.0	-1.2	-18	-16	-12	-10	-40	-35	-30	-40	-30	1500
G26US-810152A	1CT:1CT	G / G	-1.0	-1.2	-18	-16	-12	-10	-40	-35	-30	-40	-30	1500
G26US-810153A	1CT:1CT	Y / G	-1.0	-1.2	-18	-16	-12	-10	-40	-35	-30	-40	-30	1500
G26US-910121A	1CT:1CT	G / Y	-1.0	-1.2	-18	-16	-12	-10	-40	-35	-30	-40	-30	1500
G26US-910122A	1CT:1CT	G / G	-1.0	-1.2	-18	-16	-12	-10	-40	-35	-30	-40	-30	1500
G26US-910123A	1CT:1CT	Y / G	-1.0	-1.2	-18	-16	-12	-10	-40	-35	-30	-40	-30	1500
G26US-910151A	1CT:1CT	G / Y	-1.0	-1.2	-18	-16	-12	-10	-40	-35	-30	-40	-30	1500
G26US-910152A	1CT:1CT	G / G	-1.0	-1.2	-18	-16	-12	-10	-40	-35	-30	-40	-30	1500
G26US-910153A	1CT:1CT	Y / G	-1.0	-1.2	-18	-16	-12	-10	-40	-35	-30	-40	-30	1500

NOTES : 1. LEDs Left / Right G=green, Y=yellow
 2. C.M.R. = Common Mode Rejection



RoHS Compliant



TAI-TECH ADVANCED ELECTRONICS (S) PTE LTD

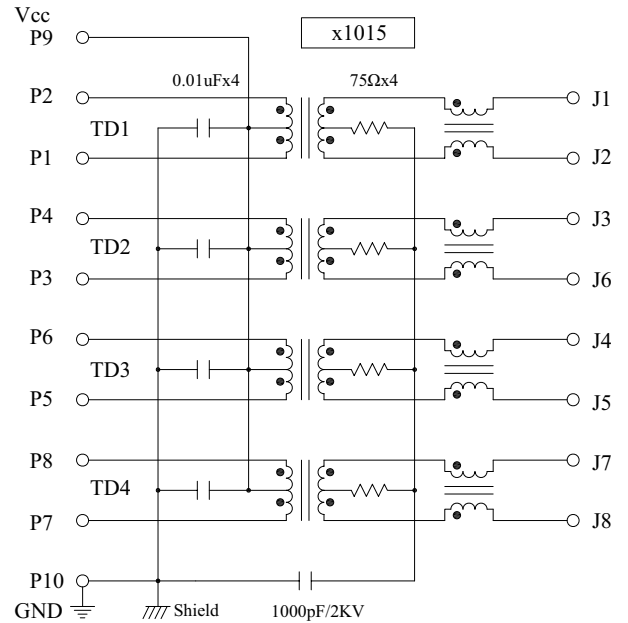
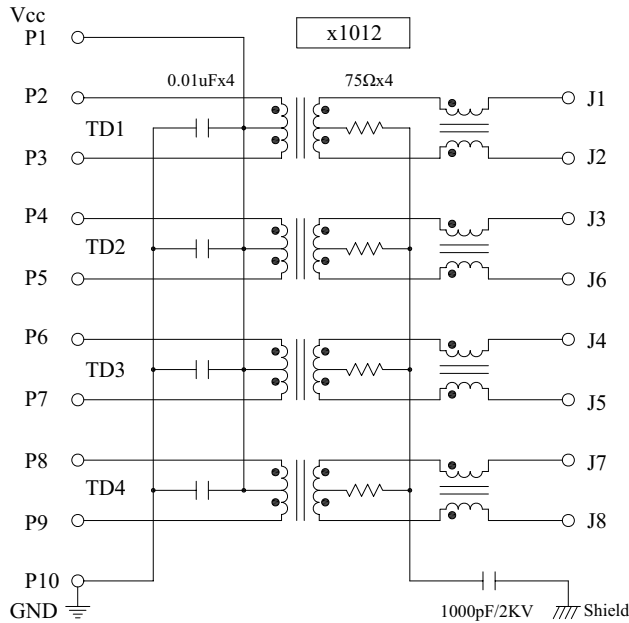
SPECIFICATION FOR APPROVAL

Product Name	INTEGRATED MODULAR JACK (LEAD FREE)	Page	3
Tai-Tech Part No.	10/100/1000 GIGABIT ETHERNET RJ45 1XN PORT TAB-UP	Rev. No.	0

Material Specification

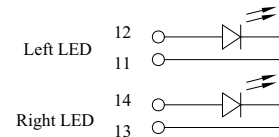
Metal Shell : Copper Alloy, Finish: 50u" Nickel
 Housing / Bottom Cover : Thermoplastic , UL 94V-0, Color Black
 Insert : Thermoplastic , UL 94V-0, Color Black
 Contact Terminal / Phosphor Bronze , Solser Tail / Copper Alloy
 15u" Gold on Contact Area, 100u" Tin on Solder, Both over 50u" Nickel Under-Plated
 Coil Base : LCP , UL 94V-0, Color Black

SCHEMATIC



LED CONFIGURATION

Standard LED	Wavelength(λ)	V / IF=20mA	
		max.	typ.
Yellow	585nm	2.5 V	2.1 V
Green	570nm	2.5 V	2.1 V



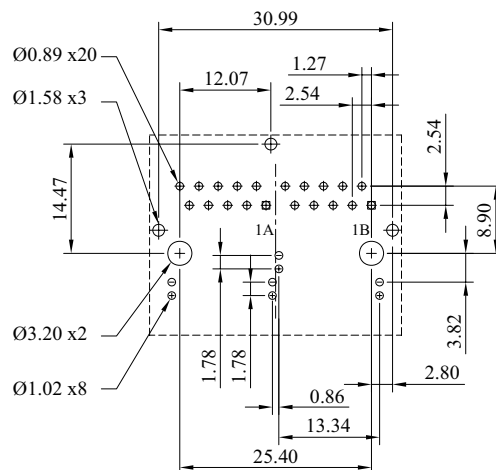
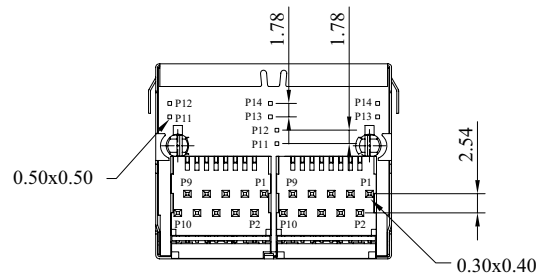
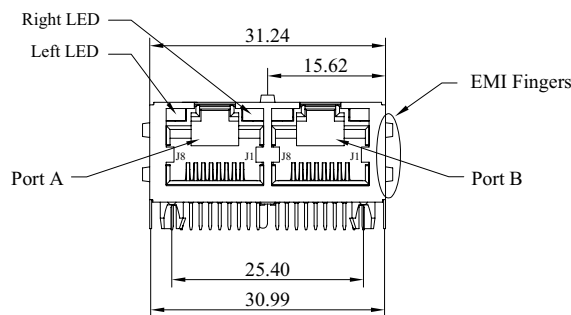
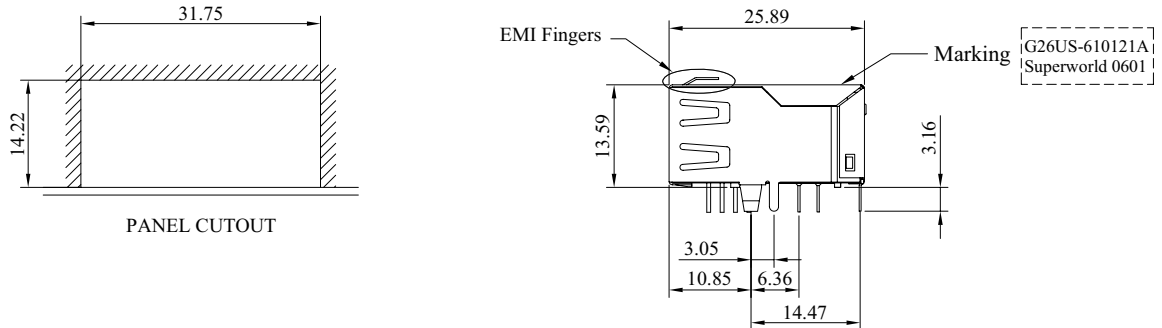
RoHS Compliant



SPECIFICATION FOR APPROVAL

Product Name	INTEGRATED MODULAR JACK (LEAD FREE)	Page	4
Tai-Tech Part No.	10/100/1000 GIGABIT ETHERNET RJ45 1XN PORT TAB-UP	Rev. No.	0

MECHANICAL : G26US-610xxxA (1x2)



Suggested PCB Pad Layout
Component Side View

- NOTES : 1. Tolerance : PCB $\pm 0.05\text{mm}$
 Connector $\pm 0.25\text{mm}$
 2. Connector dimensions comply with FCC 68.5 dimension requirements



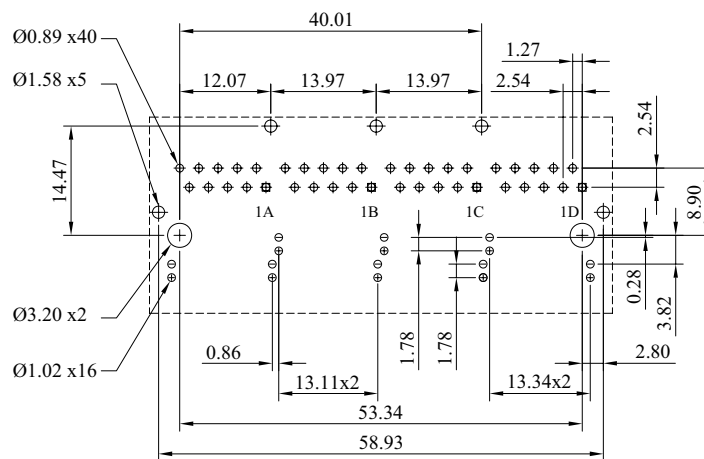
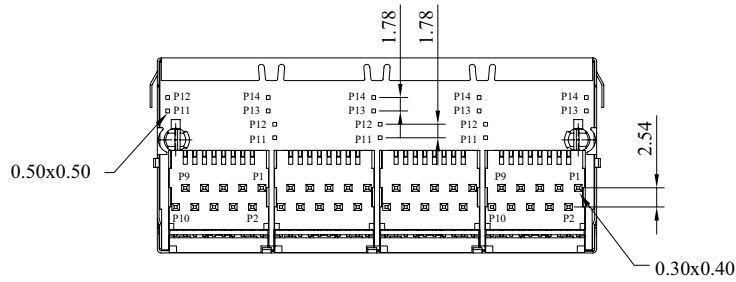
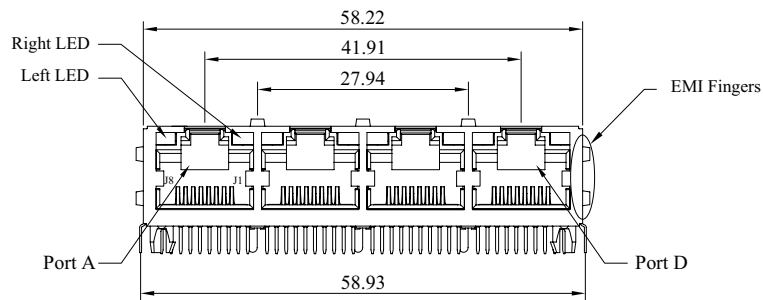
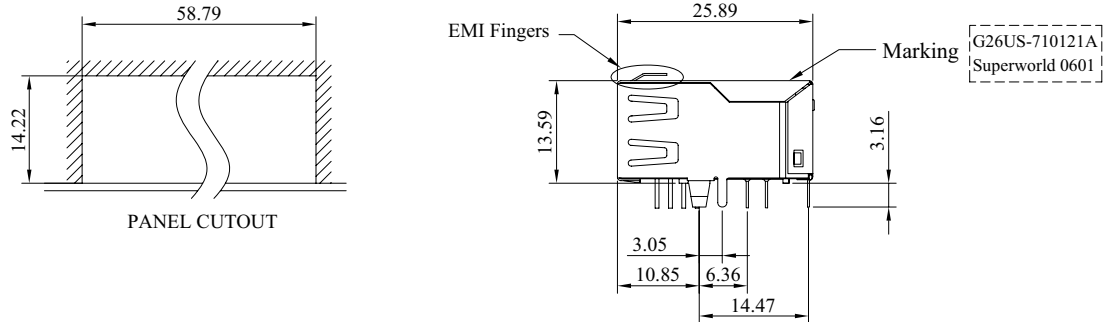
RoHS Compliant



SPECIFICATION FOR APPROVAL

Product Name	INTEGRATED MODULAR JACK (LEAD FREE)	Page	5
Tai-Tech Part No.	10/100/1000 GIGABIT ETHERNET RJ45 1XN PORT TAB-UP	Rev. No.	0

MECHANICAL : G26US-710xxxA (1x4)



Suggested PCB Pad Layout
Component Side View

- NOTES : 1. Tolerance : PCB ±0.05mm
Connector ±0.25mm
2. Connector dimensions comply with FCC 68.5 dimension requirements



RoHS Compliant

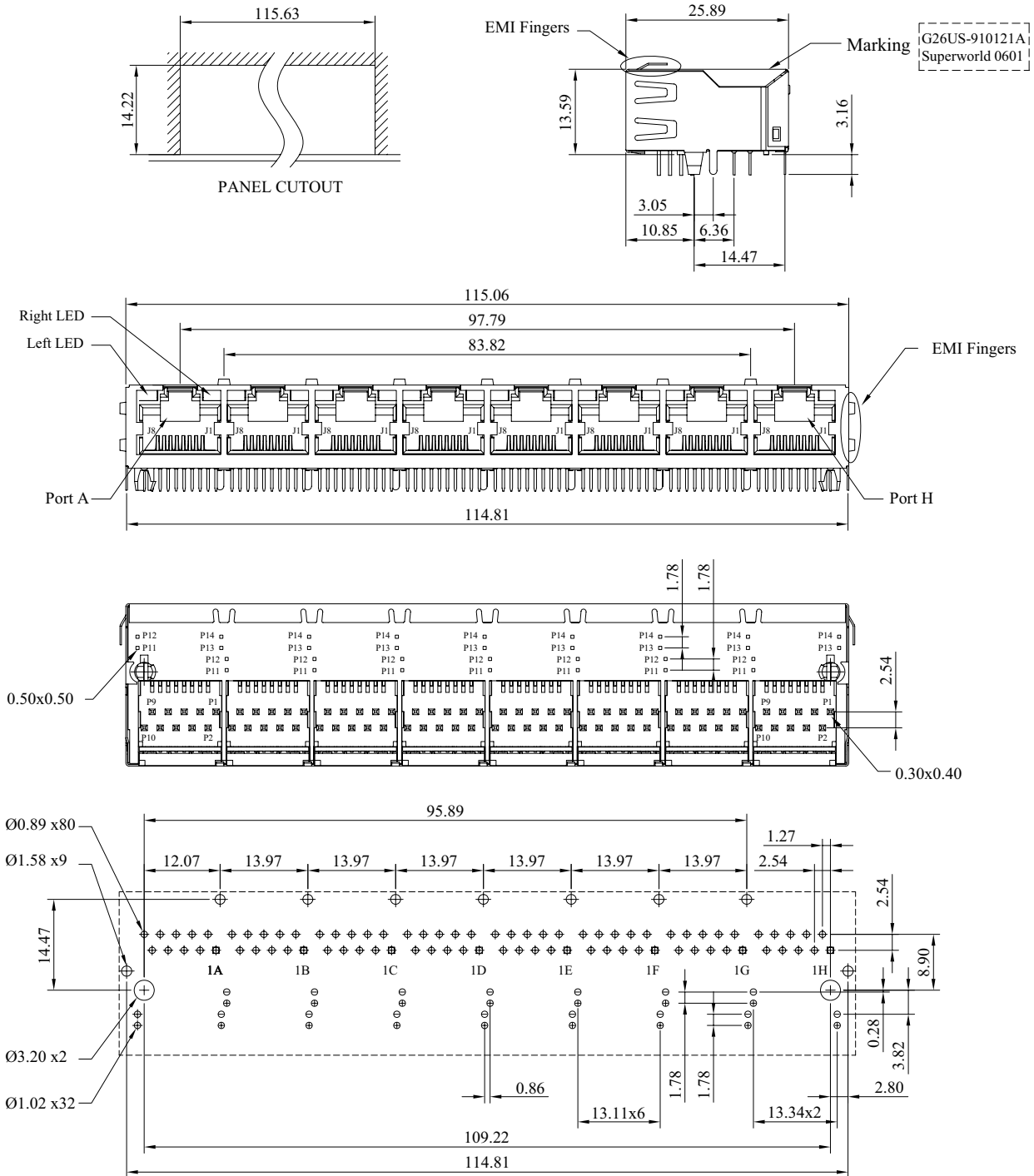


TAI-TECH ADVANCED ELECTRONICS (S) PTE LTD

SPECIFICATION FOR APPROVAL

Product Name	INTEGRATED MODULAR JACK (LEAD FREE)	Page	7
Tai-Tech Part No.	10/100/1000 GIGABIT ETHERNET RJ45 1XN PORT TAB-UP	Rev. No.	0

MECHANICAL : G26US-910xxxA (1x8)



Suggested PCB Pad Layout
Component Side View

- NOTES : 1. Tolerance : PCB $\pm 0.05\text{mm}$
 Connector $\pm 0.25\text{mm}$
 2. Connector dimensions comply with FCC 68.5 dimension requirements



RoHS Compliant

